

- Made of hot-pressed glass fibre reinforced polyester (GRP) Continuous double seal (a mechanical one in the form of a tongue and groove and another in the form of an inserted EPDM seal)
- Two-part construction, split diagonally, lower part for installation of equipment, upper part as lid
- Stackable design for space saving storage and transport
- Low flammability and self-extinguishing
- Color: light gray
- Protection class IP65
- UV-resistant
- Weight approx. 8 kg

Dimensions (approx.) H x W x D:

- Mounting "vertical" 490 x 585 x 390 mm
- Mounting "horizontal" 390 x 585 x 490 mm

Heat transition coefficient K without window and with window:

- Standard: 6.5 W/K & 7.0 W/K
- Arctic-GRP: 1.1 W/K & 1.6 W/K

Designs:

- SV4 4 latches in stainless steel (Standard)
- SE2 2 hinges and 2 clasps in stainless steel, with angle for optional padlock

Lid Propstay (only design SE):

- DFVA2 in stainless steel
- DFGF2 gas compression spring

Window:

material for mounting	Acrylic glass	Safety glass	Insulation glass
vertical 300 x 420 mm	<input type="checkbox"/> FAV	<input type="checkbox"/> FSV	<input type="checkbox"/> FIV
horizontal 210 x 420 mm	<input type="checkbox"/> FAH	<input type="checkbox"/> FSH	<input type="checkbox"/> FIH

Arctic additional insulation:

- PU-foam, not stackable
- arctic-GRP GRP in-liner

Explosion Protection:

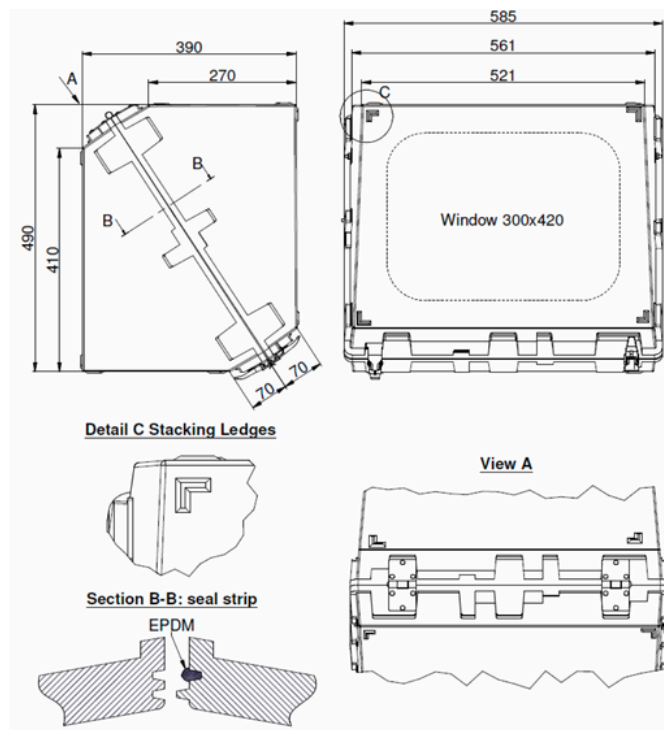
- GO: antistatic to avoid electrostatic charges according to EN IEC 60079-0
- Ex p: preparation for pressurised according to EN IEC 60079-2

Protection Class:

- IP66, IP67, IP68, CSA Enclosure Type 4x (Nema 4X)

Vents and Drains:

- LF: Labyrinth filter IP44
- DV: Vents and Drains IP66

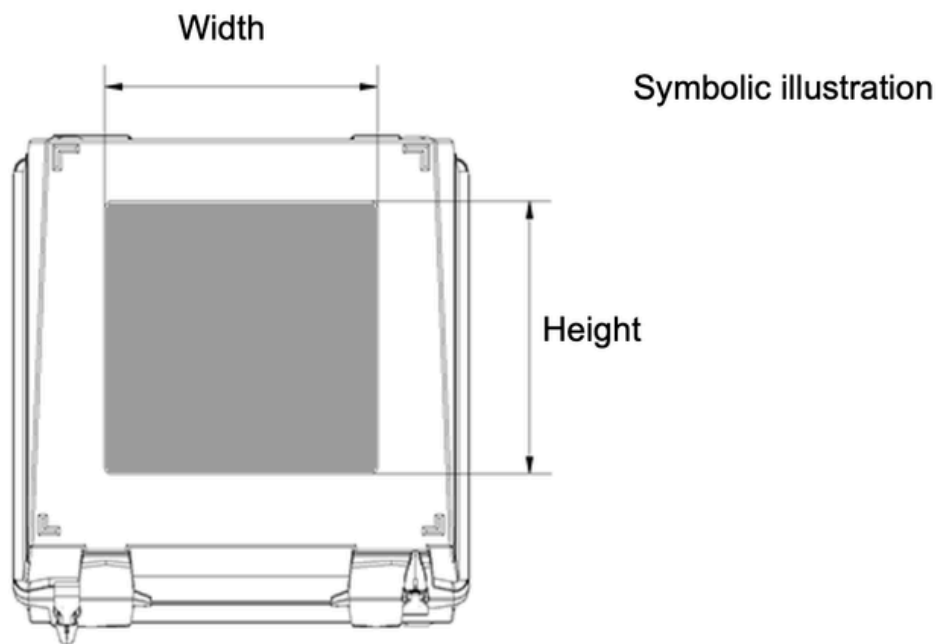


View:

- Vertical Mounting

Windows with rounded corners only available as acrylic and safety glass

Insulation glass window (recommended for additional insulation artic-GRP)



Name

Height x Width x Depth (Vertical)
Height x Name x Width x Depth (Horizontal)
Heat transition coefficient K
Design

Design

305 x 425 x 24 mm
215 x 425 x 24 mm
1.3 W/K
Rectangular