

- Made of hot-pressed glass fibre reinforced polyester (GRP) Continuous double seal (a mechanical one in the form of a tongue and groove and another in the form of an inserted EPDM seal)
- Two-part construction, split diagonally, lower part for installation of equipment, upper part as lid.
- Stackable design for space saving storage and transport
- Hardly inflammable and self-extinguishing
- Color: light gray
- Protection class IP65
- UV-resistant
- Weight approx. 10.8 kg

### Dimensions (approx.) H x W x D:

- Mounting "vertical" 490 x 710 x 390 mm
- Mounting "horizontal" 390 x 710 x 490 mm

### Heat transition coefficient K without window and with window:

- Standard: 7.5 W/K & 8.2 W/K
- Arctic-GRP: 1.2 W/K & 1.9 W/K

### Designs:

- SV4 4 clasps in stainless steel (Standard)
- SE2 2 hinges and 2 clasps in stainless steel, with angle for optional padlock

### Lid Propstay (only design SE):

- DFVA2 in stainless steel
- DFGF2 gas compression spring

### Window:

material for mounting	Acrylic glass	Safety glass	Isolier-glas
vertical 300 x 500 mm	<input type="checkbox"/> FAV	<input type="checkbox"/> FSV	<input type="checkbox"/> FIV
horizontal 210 x 500 mm	<input type="checkbox"/> FAH	<input type="checkbox"/> FSH	<input type="checkbox"/> FIH

### Arctic additional insulation:

- PU-foam, not stackable
- arctic-GRP GRP in-liner

### Explosion Protection:

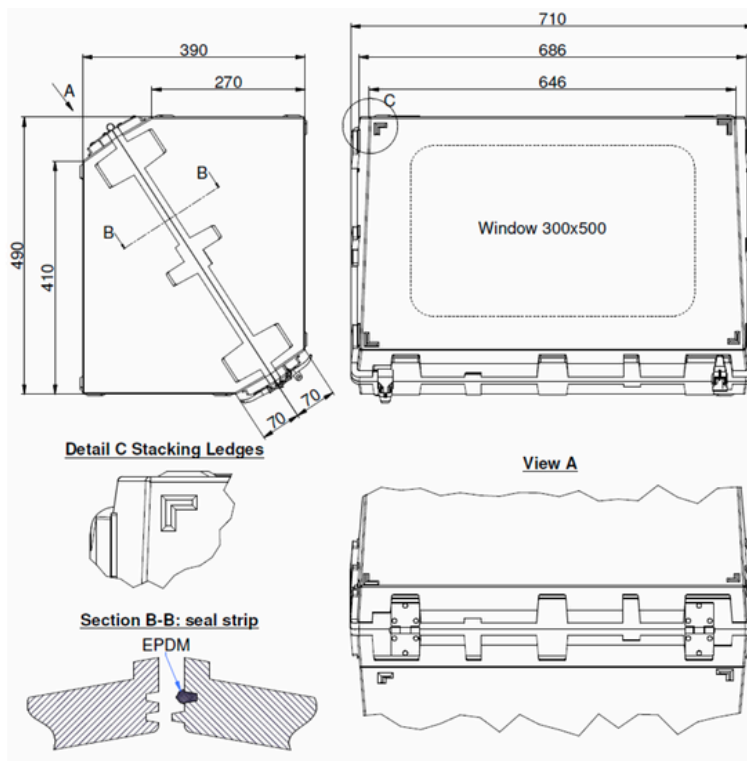
- GO: antistatic to avoid electrostatic charges according to EN IEC 60079-0
- Ex p: preparation for pressurised according to EN IEC 60079-2

### Protection Class:

- IP66, IP67, IP68, CSA Enclosure Type 4x (Nema 4X)

### Vents and Drains:

- LF: Labyrinth filter IP44
- DV: Vents and Drains IP66

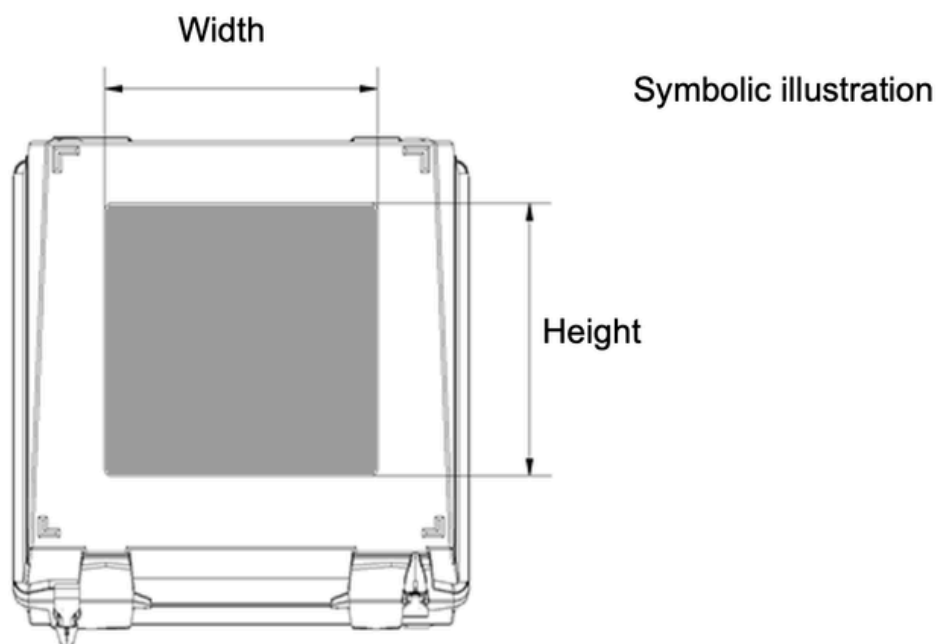


View:

- Vertical Mounting

Windows with rounded corners only available as acrylic and safety glass

Insulation glass window (recommended for additional insulation artic-GRP)



### Name

Height x Width x Depth (Vertical)  
Height x Name x Width x Depth (Horizontal)  
Heat transition coefficient K  
Design

### Design

305 x 425 x 24 mm  
215 x 425 x 24 mm  
1.4 W/K  
Rectangular