

- Made of hot-pressed glass fibre reinforced polyester (GRP) Continuous double seal (a mechanical one in the form of a tongue and groove and another in the form of an inserted EPDM seal)
- Two-part construction, split diagonally, lower part for installation of equipment, upper part as lid.
- Space saving storage possible
- Hardly inflammable and self-extinguishing
- Color: light gray
- Protection class IP65
- UV-resistant
- Weight approx. 21 kg

### Dimensions (approx.) H x W x D:

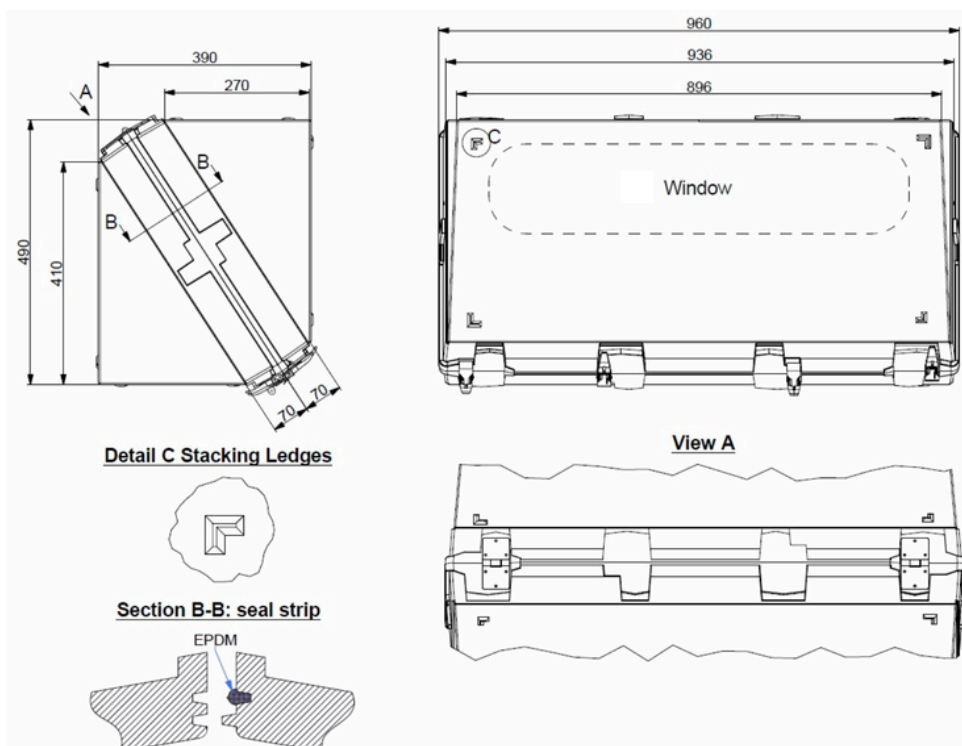
- Mounting "vertical" 490 x 960 x 390 mm
- Mounting "horizontal" 390 x 960 x 490 mm

### Heat transition coefficient K without window and with window:

- Standard: 9.7 W/K & 10.30 W/K
- Arctic-GRP: 1.6 W/K & 2.9 W/K

### Designs:

- SV8 8 clasps in stainless steel (Standard)
- SE4 2 hinges and 4 clasps in stainless steel, with angle for optional padlock



View:

- Vertical Mounting
- Design SE4

### Lid Propstay (only design SE):

- DFVA2 in stainless steel

### Window:

material for mounting	Acrylic glass	Safety glass
vertical 300 x 500 mm	<input type="checkbox"/> FAV	<input type="checkbox"/> FSV
horizontal 210 x 500 mm	<input type="checkbox"/> FAH	<input type="checkbox"/> FSH

### Arctic additional insulation:

PU-foam, not stackable

- arctic-GRP GRP in-liner

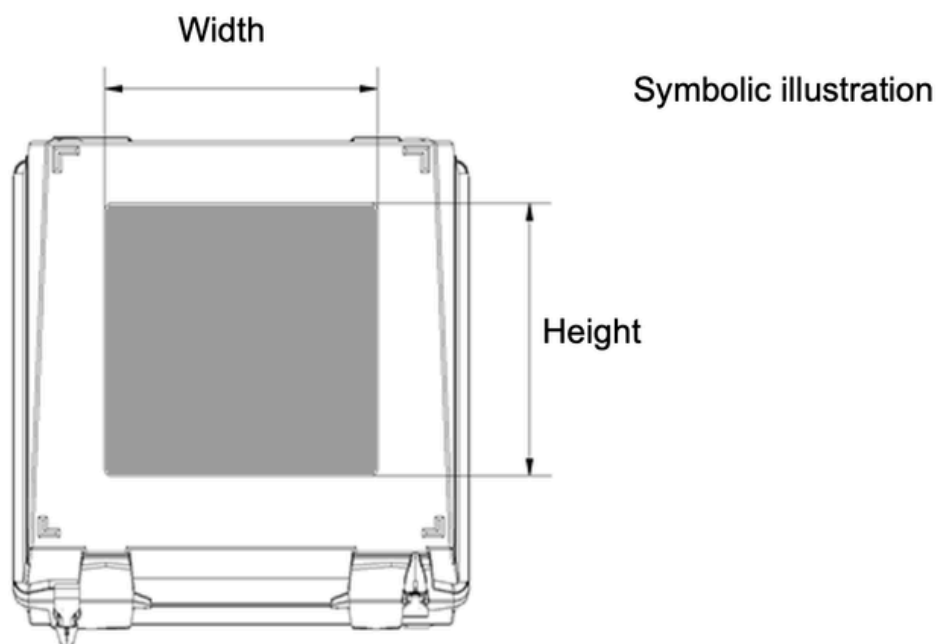
### Explosion Protection:

• GO: antistatic to avoid electrostatic charges according to EN IEC 60079-0

### Vents and Drains:

- LF: Labyrinth filter IP44
- DV: Vents and Drains IP66

Insulation glass window (recommended for additional insulation artic-GRP)



### Name

Height x Width x Depth (Horizontal)

Height x Name x Width x Depth (Vertical)

Heat transition coefficient K

Design

### Design

275 x 760 x 24

200 x 760 x 24

1.8

Rectangular