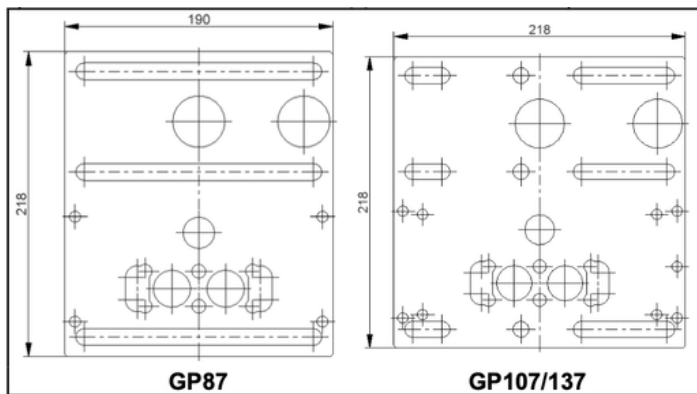


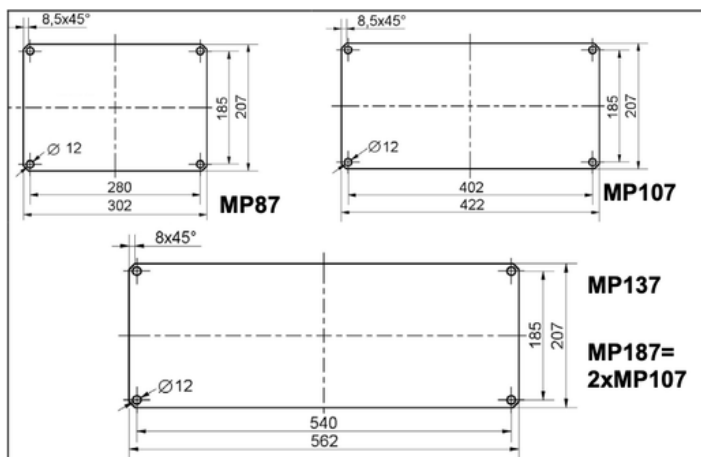
1 BASE PLATE GP

The base plates are specifically designed to accommodate bottom-mounted manifolds (2-way/3-way/5-way manifolds). Holes drilled in the plates also allow for the installation of external mounting supports Type MH as well as of the ISOPASS insulating adapters. The base plates are suited for bottom or rear wall mounting. (see data sheet KDS10491 applications 1 and 2)



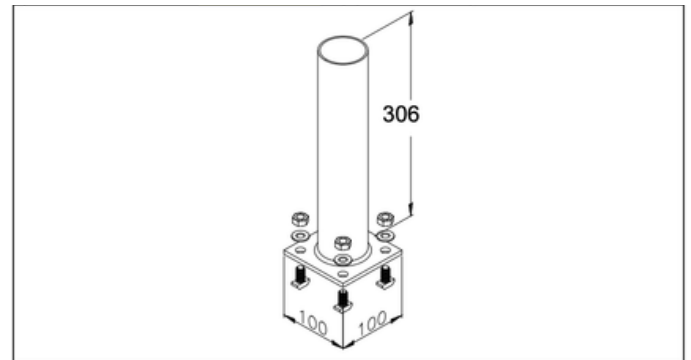
2 MOUNTING PLATE MP

The mounting plate can be mounted on the floor or on the rear side of the DIABOX.



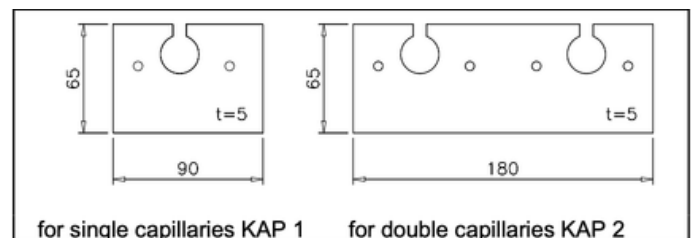
3 PIPE ADAPTER RAD 2"-Q WITH SQUARE BASE PLATE

The pipe adapter is suited for the installation of all types of transmitters and instruments to be mounted on a 2" pipe. (see data sheet KDS10491 application 4)



4 BACKING PLATE FOR CAPILLARY BUSHINGS KAP

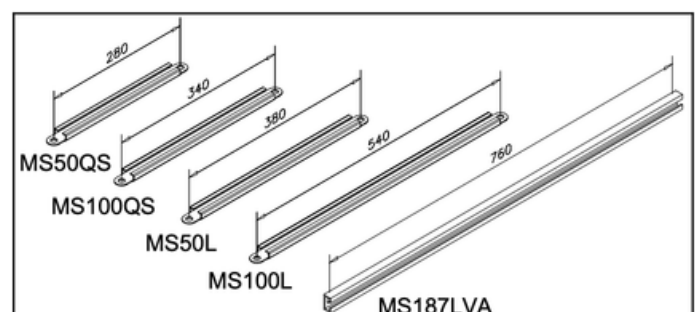
DIABOX's with capillary slits tend to become unstable at the angled edges. The backer plate provides reinforcement. Material: stainless steel. Available for capillaries 6-12mm. (see data sheet KDS10491 application 5)



5 MOUNTING RAILS MS

Mounting rails allow for movable installations inside the enclosure.

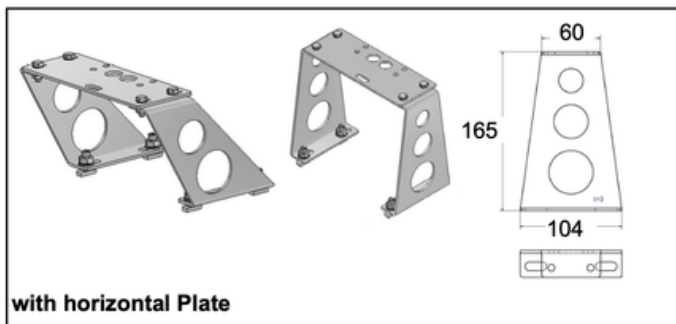
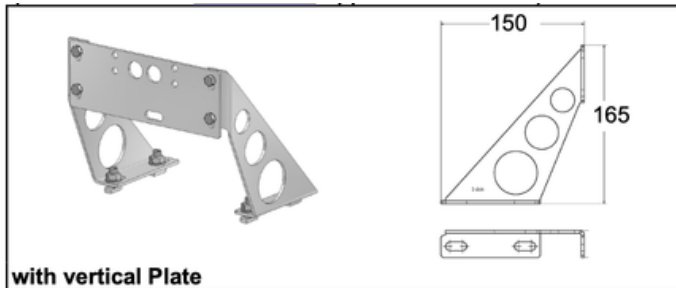
(see data sheet KDS10491 application Nos. 3-6)



6 MOUNTING SYSTEM WITH EXCHANGEABLE PLATE MSW

For 2-way, 3-way and 5-way manifolds, capillary transmitters etc.

(see data sheet KDS10491 application 3 and 6)

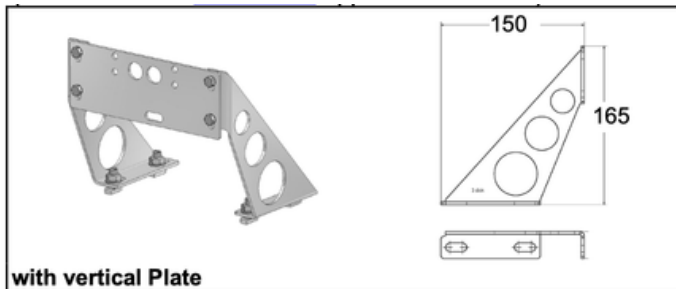


DIABOX INTERNAL MOUNTING ACCESSORIES (OUTSIDE)

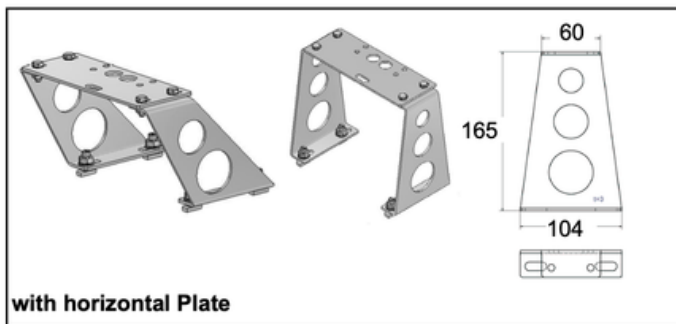
1 MOUNTING SUPPORT MH

The mounting support plate, designed to be installed at the bottom of the DIABOX, is equipped with a mounting hub for mounting the DIABOX to a 2" pipe stand. The slotted holes allow for a variety of installations inside the DIABOX.

(see data sheet KDS10491 applications 1-5)



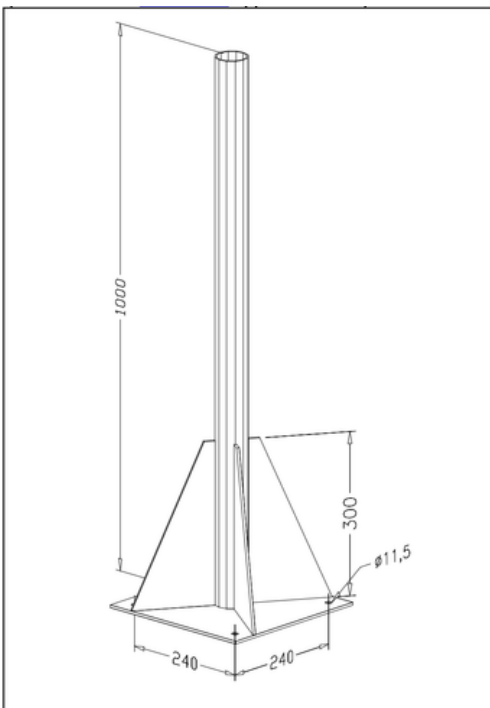
with vertical Plate



with horizontal Plate

2 PIPE STAND ST10-2

(see data sheet KDS10491 applications 1-5)

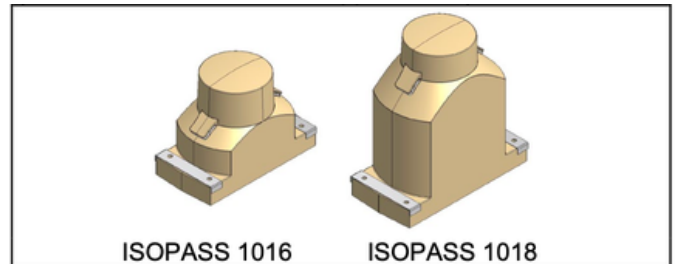


3 ISOPASS- INSULATION ADAPTER

For Enclosure:

- ISOPASS 1016 (-D)
- ISOPASS 1018 (-D)
- ISOPASS 1320 (-D)

(D) = suitable for DIABOX (see. data sheet KDS10491 application 1)



4 WALL BRACKET WS

Wall bracket not in combination with locking type SV. (see data sheet KDS10491 application 6)

