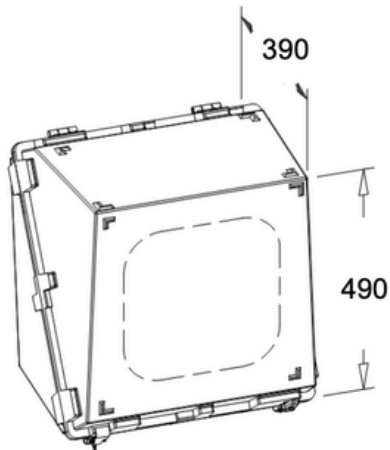


# DIABOX MOUNTING ORIENTATION

## HORIZONTAL & VERTICAL

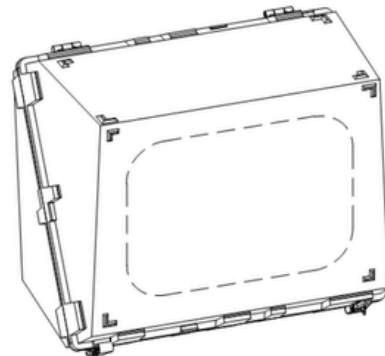
### MOUNTING ORIENTATION VERTICAL "V" (STANDARD)

Especially suited for high instruments or transmitters with measuring head at the top.



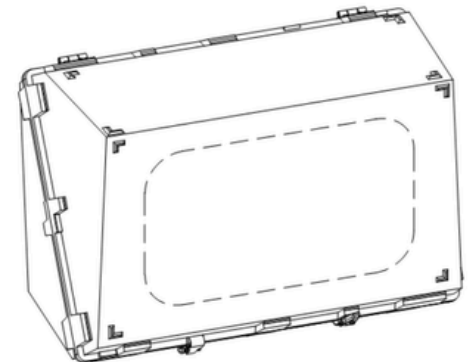
**DIABOX 87**

Window 290x290 mm



**DIABOX 107**

Window 300x420 mm

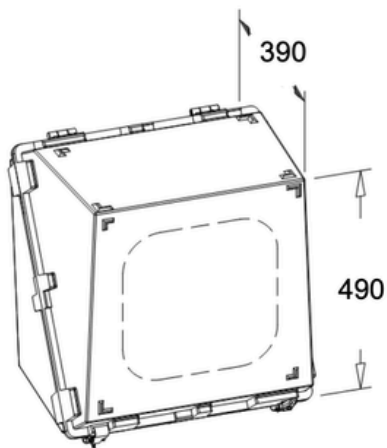


**DIABOX 137**

Window 300x500 mm

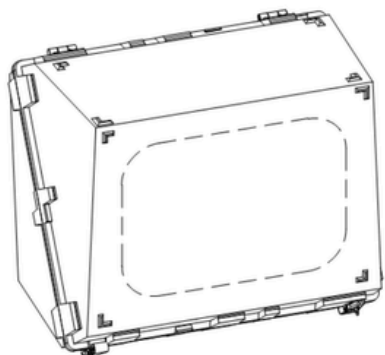
### MOUNTING ORIENTATION HORIZONTAL "H"

For all instruments requiring more mounting depth; especially for transmitters with the measuring head at the front.



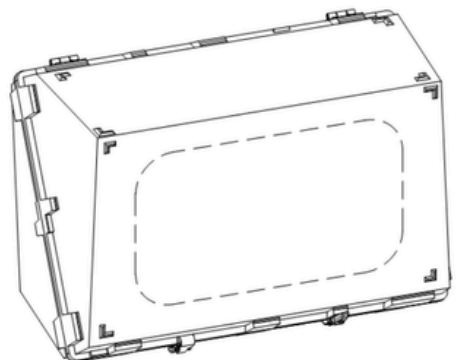
**DIABOX 87**

Window 210x290 mm



**DIABOX 107**

Window 210x420 mm



**DIABOX 137**

Window 210x500 mm

For enclosures in standard design: acrylic glass, safety glass or insulation glass windows available.  
For enclosures in anti-static design (GO): safety glass or insulation glass windows available.