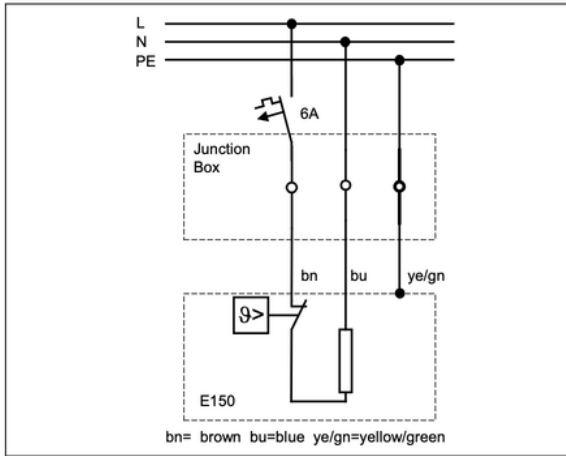


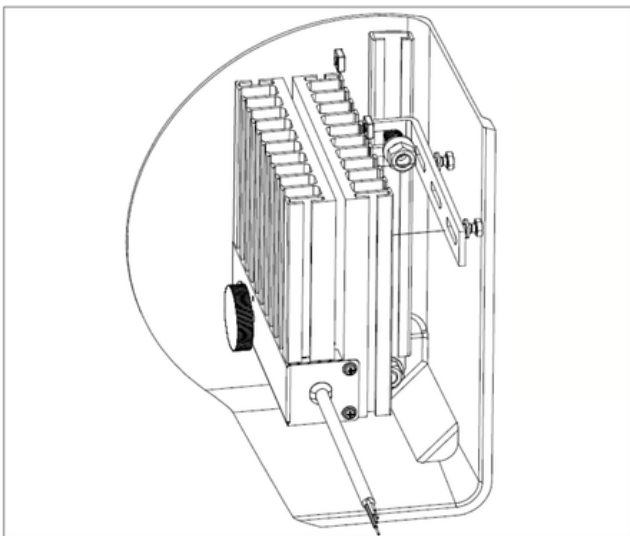
6 WIRING DIAGRAM



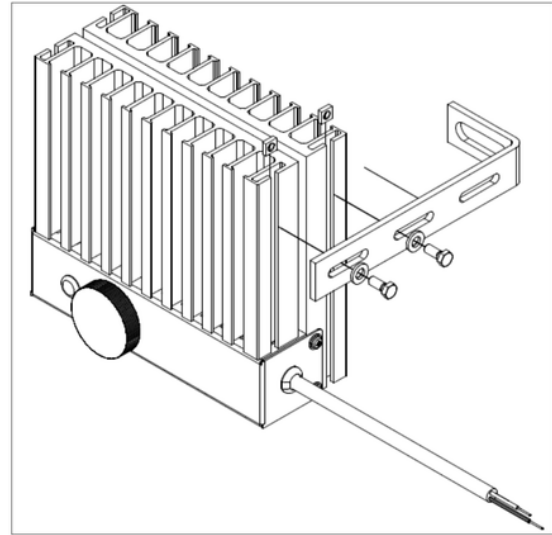
7 INSTALLATION

The heater has to be installed with the fins vertical; heat sink faces up, control unit at bottom. In order to allow free air convection, a space of 4"/ 100 mm above and 2"/ 50 mm beneath the heater should remain clear. The mounting bracket can be installed by sliding the nuts on any one of the fins on the vertical sides of the heater. We recommend to loosely assemble the sliding nuts to the mounting bracket first and then insert them in the desired fins.

7.1 Attached to the Mounting Rail in the INTERTEC Instrument Enclosure



7.2 Attached to the Mounting Plate



7.2 Attached to the C-Rail of an INTERTEC Protective Cabinet

The mounting bracket and all shown bolts and nuts are supplied with the heater.

