

# MINIBOX 21 TRANSMITTER ENCLOSURE



- Made of hot-pressed glass fibre reinforced polyester (GRP) Continuous double seal (a mechanical one in the form of a tongue and groove and another in the form of an inserted EPDM seal)
- Two-part construction: horizontal or vertical mounting possible
- Space-saving storage
- All metal parts in stainless steel

- Color: light gray
- Protection class IP44
- UV-resistant
- Weight approx. 3 kg

## Dimensions (approx.) H x W x D:

- Mounting "vertical" 300 x 388 x 218 mm
- Mounting "horizontal" 388 x 218 x 300 mm

## Heat transition coefficient K without window and with window:

- Standard: 1.8 W/K & 1.9 W/K
- Arctic-GRP: 0.6 W/K & 0.7 W/K

## Standard Designs:

- SE2 Standard without cut-outs with 2 hinges and 2 clasps

## Optional Designs:

- SV4 4 clasps
- DSL Double row of hinges with C-rail
- DS Safety glass window and  $\varnothing$  150 mm

## Arctic additional insulation:

with PU-foam, not stackable one Inside the other

- arctic-GRP GRP in-liner

## Cutouts:

- Cutout for FLEXIPASS R
- Cutout for FLEXIPASS T
- Window cut-out,  $\varnothing$ 150mm, C > 121mm

Specify the dimensions and location of A and B (2) and/or C (1) with order placement

- Special cutout

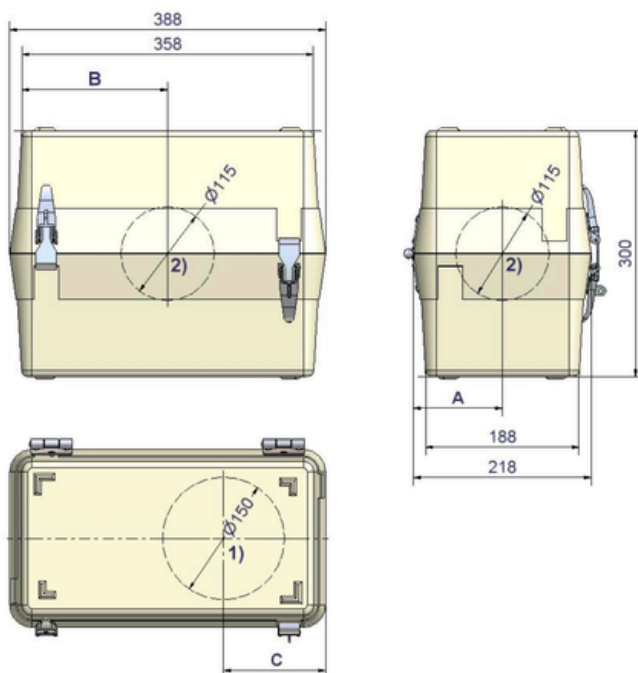
## Protection Class:

- IP65

## Vents and Drains:

- LF: Labyrinth filter IP44
- DV: Vents and Drains IP66

Horizontal Mounting



Vertical Mounting

